



Proudly



MADE IN USA



- Dual-beam CO₂-sensing technology
- Fail-safe wiring protection
- 24-hour occupancy-capable:
No correction algorithm needed
- Mounts in single-gang outlet box
- Switch-selectable output mode:
0-5V, 0-10V, or 4-20mA with easy slider switch

Ultra Low Profile

KULP CO₂ Sensor

The KULP is the sleek new member of the Kele HVAC CO₂ sensor family. When installed, this low profile unit has only about a quarter inch of relief above the wall surface, discreetly blending-into any architectural motif. But don't be fooled by its slim profile: inside is a powerhouse of modern sensor technology. The compact dual-beam detection system sets this product apart from the competition, ensuring accurate operation without the need for a "self calibration" algorithm and its attendant operational limitations. The KULP can be used with any building occupancy profile!

The KULP mounts conveniently in a standard single-gang junction box. The labeled and pluggable connector makes wiring quick and easy. All screw terminal connections can be made beforehand. And thanks to built-in circuit protection, the KULP will not be damaged even if it is mis-wired during installation.

Just set the slider switch to select the desired output (0-5V, 0-10V, or 4-20mA) and plug-in the connector! There are no jumpers to lose or complicated documentation to decipher.

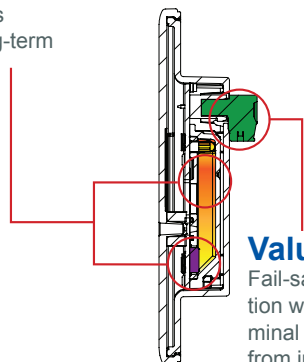
LEDs are provided to indicate CO₂ concentration levels (sometimes required for LEED certification), but they can be disabled by special request to make the KULP even more discreet when desired.

Kele KULP CO₂ Sensor

SIMPLY SMART

Performance

All new compact CO₂ sensor with a dual-beam detector increases precision and long-term stability



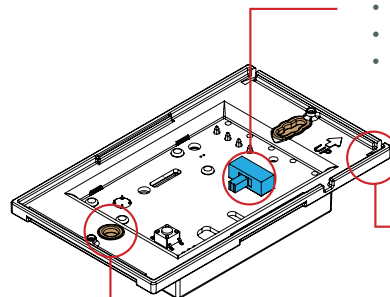
Value

Fail-safe circuit protection with pluggable terminal prevents damage from installation errors

Simplicity

Switch-selectable output

- 4-20 mA output
- 0-5 V output
- 0-10 V output



Design

0.28" profile height unobtrusively integrates into any architectural decor

Convenience

Mounts on a standard single-gang junction box and connector can be pre-wired





Get more for less!

The KULP is our high value and user-friendly CO₂ sensor designed for HVAC applications.

Made in America

The KULP line is designed, manufactured, calibrated, and serviced in America!

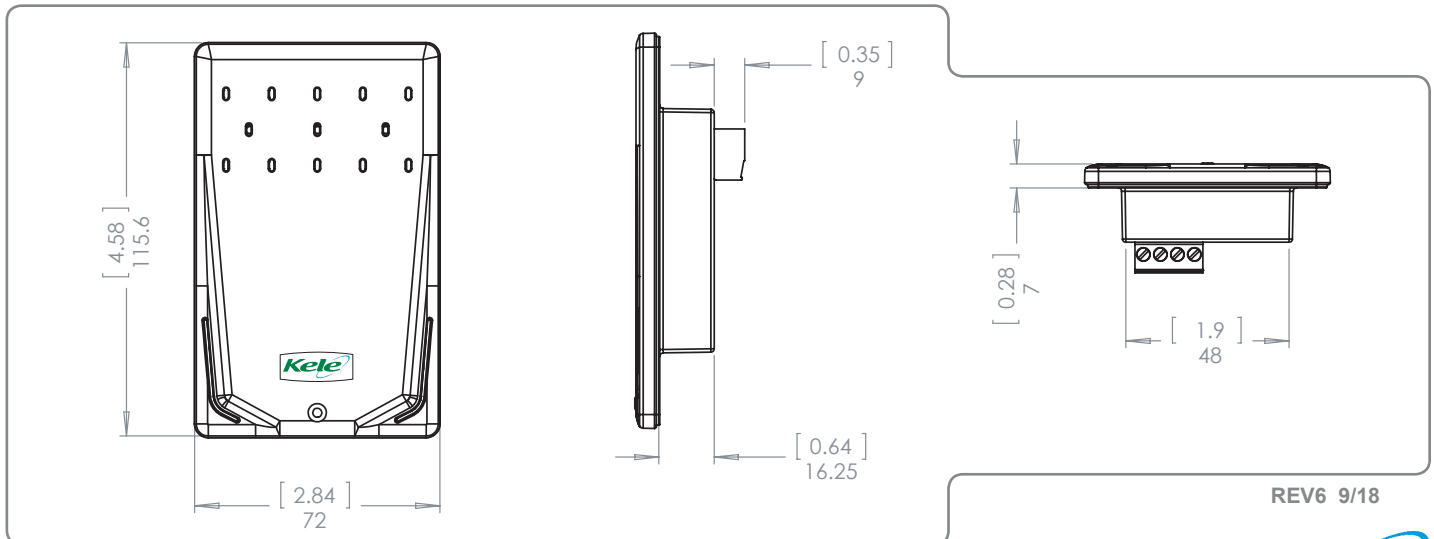
Parameter	Value
Operating Principle	Dual-beam Non-dispersive infrared
Gas Sampling Method	Diffusion
Measurement Range	2,000 ppm or 5,000 ppm
Repeatability	± 20 ppm CO ₂
Measurement Accuracy	± 30 ppm ± 2% of reading
Recommended Calibration Interval	5 years
Response time	Less than 1 minute
Power Requirements	18 - 30 VDC or 18 - 28 VRMS AC
Operating Temperature Range	10 - 50° Celsius
Operating Humidity Range	0 - 95% RH, non-condensing
Analog Output (linear), field-selectable with slider switch	0 – 5 Volts DC, 0 – 10 Volts DC, or 4-20 mA (R _L > 500 Ohms)
Calibration	Single gas: 2,000 ppm (kits available)
Dimensions	2.84" W x 4.58" H and 0.28" T above wall surface when mounted in junction box
Weight	5.85 oz (0.17 kg)
Enclosure Material	UV-stabilized and UL 94V-0 fire-resistant ABS plastic
Warranty	7 years on electronic components, 3 years on NDIR sensor

ORDERING TABLE

MODEL	DESCRIPTION
KULP	CO2 SENSOR
TOP OF SCALE	
BLANK	2,000 PPM (Standard)
5K	5,000 PPM
LED INDICATOR	
BLANK	STANDARD LED INDICATOR (Green, Yellow, and Red LED)
NL	DISABLE LED INDICATOR (for discreet applications: i.e. movie theaters, museums, etc.)
ENCLOSURE COLOR	
BLANK	White (Standard)
BK	Black

EXAMPLE: KULP-5K-BK Wall-mount CO2 sensor with 5,000 ppm top of scale. Black enclosure.

* Note: installation requires a standard SINGLE-GANG OUTLET BOX



REV6 9/18

